



OP15P with Intel Dual Core- Pineview D525

ALL-IN-ONE POS

CE FC

This 15" POS adopts a stylish, *fanless* design, and runs on a low-power consumption platform. The new upgrade to **Intel Dual Core Pineview D525** will allow for even better performance. Restaurants, hotels, shops, and movie theatres are all ideal places for OP15P.

MAIN FEATURES



©HDD/SSD hidden in base, easy maintenance



© Can integrate Elo 5wire resistive touch



© Screen can tilt up to 90degrees



©Intel Dual Core Pineview D525 integrated in the back of monitor



© Spill and dust proof front bezel

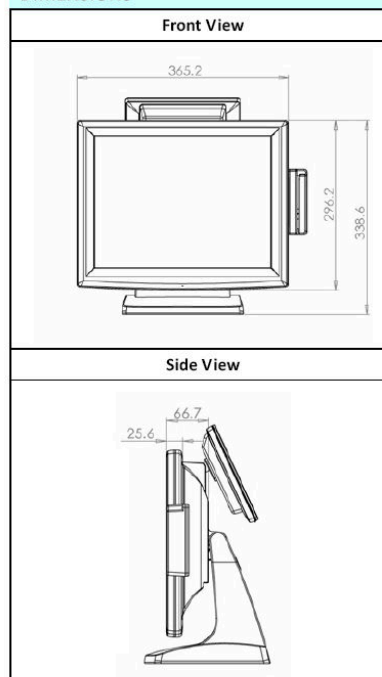


© Fanless design

MAIN SPEC

Main Board	
CPU	Intel® Atom™ Pineview D525 Dual Core, 1.8GHz (13W) processor
System Memory	DDR3 2G
LCD Panel & Touch	
Display Size	15"
Optimal Resolution	1024 * 768
Brightness	250 cd/m2
Viewing Angle	0-90degrees
Touch Technology	5 wires resistive
Optional	
3 tracks MSR	
7", 8.4" for 2 nd display	
Physical Dimensions	(W) 365.2 * (H) 338.6 * (D) 200mm
I/O Ports	USB*4 / RJ-45*4 / LAN*1 / DC Jack*1/ E-SATA*1 / 2 nd VGA*1/ Cash Drawer (RJ11)*1
Safety Certifications	CE Class A, FCC Class A

DIMENSIONS



CONTACT US

6F, 30 Sinjhong Rd., Neihu District,
Taipei 114, Taiwan
Tel: 886-2-7720-1688 Fax: 886-2-7721-2188
<http://www.oteksys.com>
sales@oteksys.com